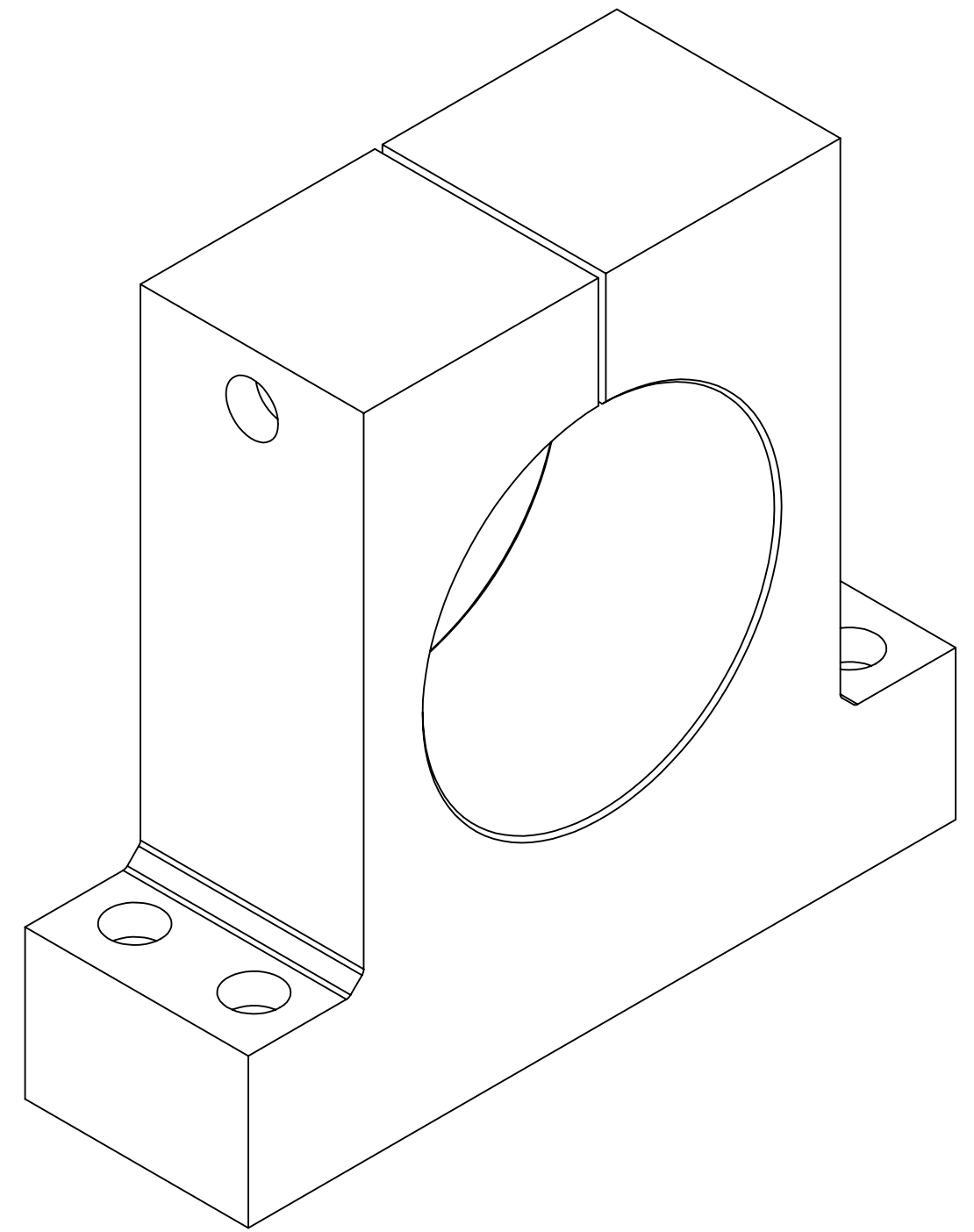


M6 SCREW TYP

Ø75±0.03

PROPRIETARY AND CONFIDENTIAL
 THE INFORMATION CONTAINED IN THIS DRAWING IS THE SOLE PROPERTY OF OAVCO LLC. ANY REPRODUCTION IN PART OR AS A WHOLE WITHOUT THE WRITTEN PERMISSION OF OAVCO LLC IS PROHIBITED.



- NOTES:
 1) MATERIAL ALUMINUM 6061-T6
 2) BLACK HARD ANODIZE

		UNLESS OTHERWISE SPECIFIED:					
		DIMENSIONS ARE IN MILLIMETERS		DRAWN		NAME	
		TOLERANCES:		CHECKED		DATE	
		FRACTIONAL ±		ENG APPR.			
		ANGULAR: ±1/4°		MFG APPR.			
		ONE PLACE DECIMAL ±.2		Q.A.			
		TWO PLACE DECIMAL ±.1		COMMENTS:			
		INTERPRET GEOMETRIC TOLERANCING PER:					
		MATERIAL					
		FINISH					
NEXT ASSY	USED ON						
APPLICATION		DO NOT SCALE DRAWING					
				TITLE: 75MM SHAFT END MOUNTING			
SIZE	DWG. NO.			REV			
B	SEMM-OAV75						
SCALE: 1:1		WEIGHT:		SHEET 1 OF 1			