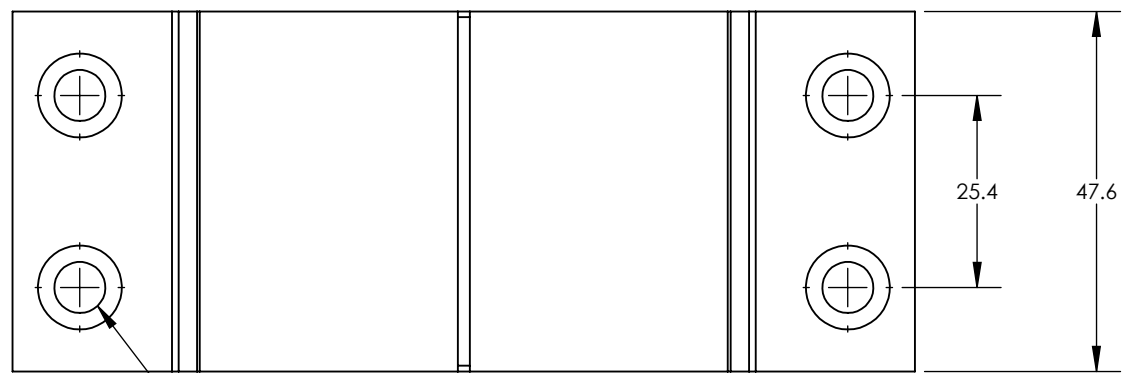


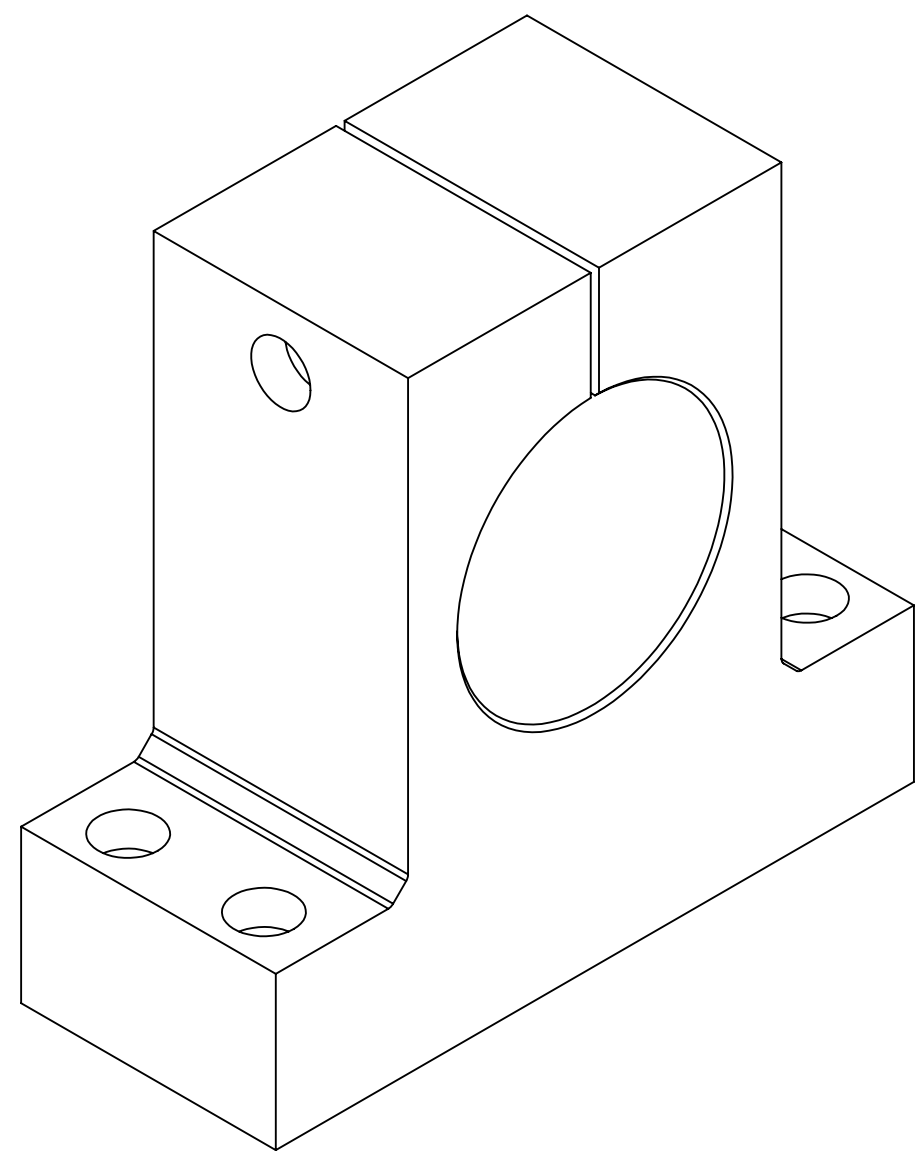
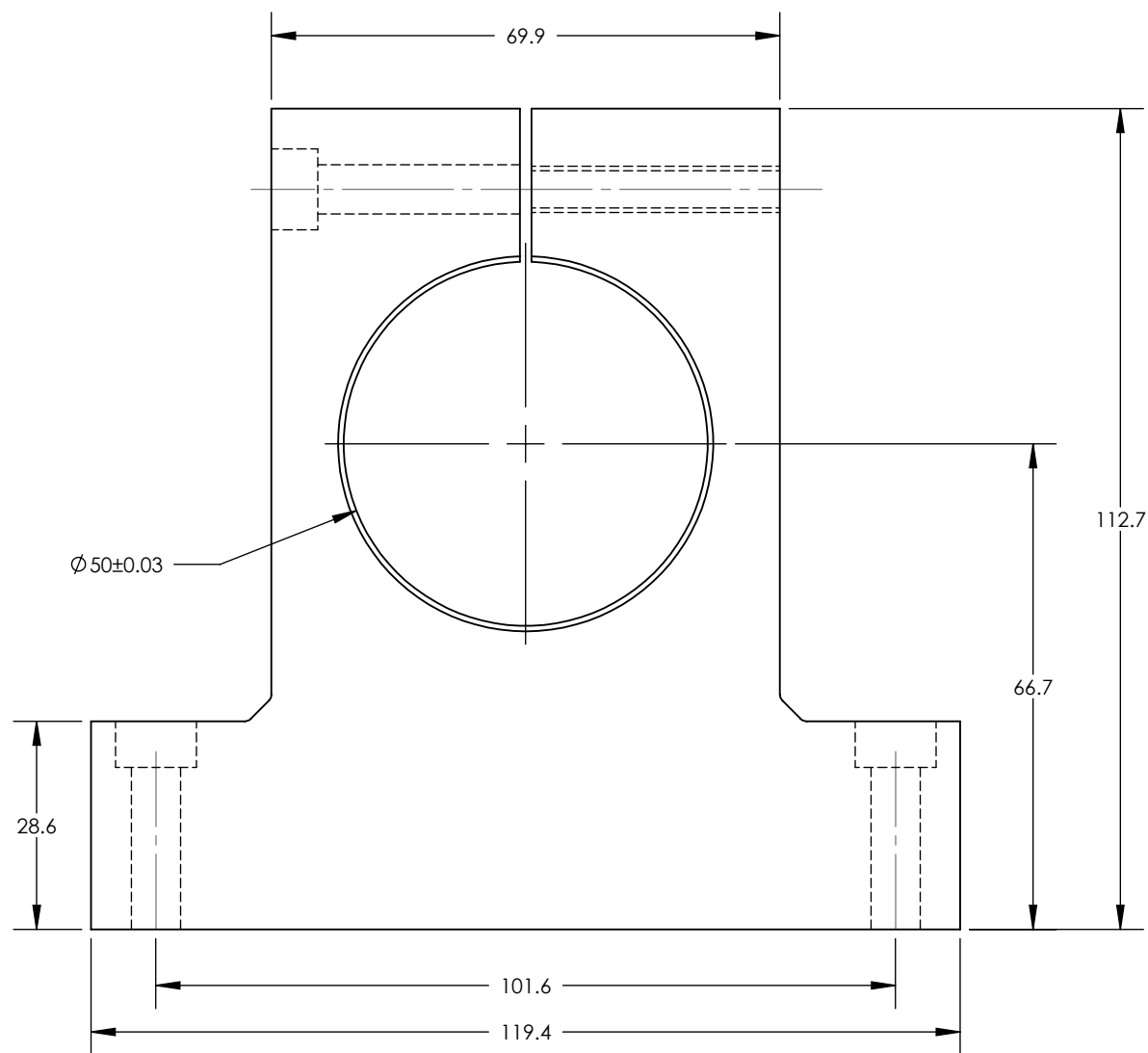
8 7 6 5 4 3 2 1

D
C
B
A

D
C
B
A



M6 SCREW TYP



- NOTES:
 1) MATERIAL ALUMINUM 6061-T6
 2) BLACK HARD ANODIZE

PROPRIETARY AND CONFIDENTIAL
 THE INFORMATION CONTAINED IN THIS DRAWING IS THE SOLE PROPERTY OF OAVCO LLC. ANY REPRODUCTION IN PART OR AS A WHOLE WITHOUT THE WRITTEN PERMISSION OF OAVCO LLC IS PROHIBITED.

		UNLESS OTHERWISE SPECIFIED:		NAME	DATE
		DIMENSIONS ARE IN MILLIMETERS	DRAWN		
		TOLERANCES:	CHECKED		
		FRACTIONAL \pm	ENG APPR.		
		ANGULAR: $\pm 1/4^\circ$	MFG APPR.		
		ONE PLACE DECIMAL $\pm .2$	Q.A.		
		TWO PLACE DECIMAL $\pm .1$	COMMENTS:		
		INTERPRET GEOMETRIC TOLERANCING PER:			
		MATERIAL			
NEXT ASSY	USED ON	FINISH			
APPLICATION		DO NOT SCALE DRAWING			

TITLE: 50MM SHAFT END MOUNTING		
SIZE B	DWG. NO. SEMM-OAV50	REV
SCALE: 1:1	WEIGHT:	SHEET 1 OF 1

8 7 6 5 4 3 2 1