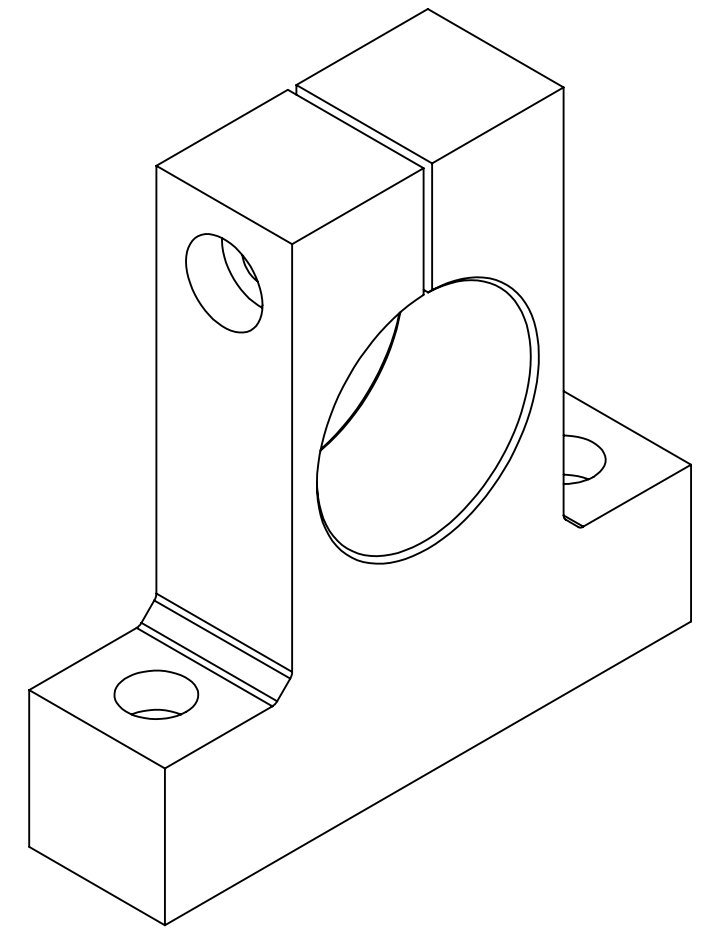
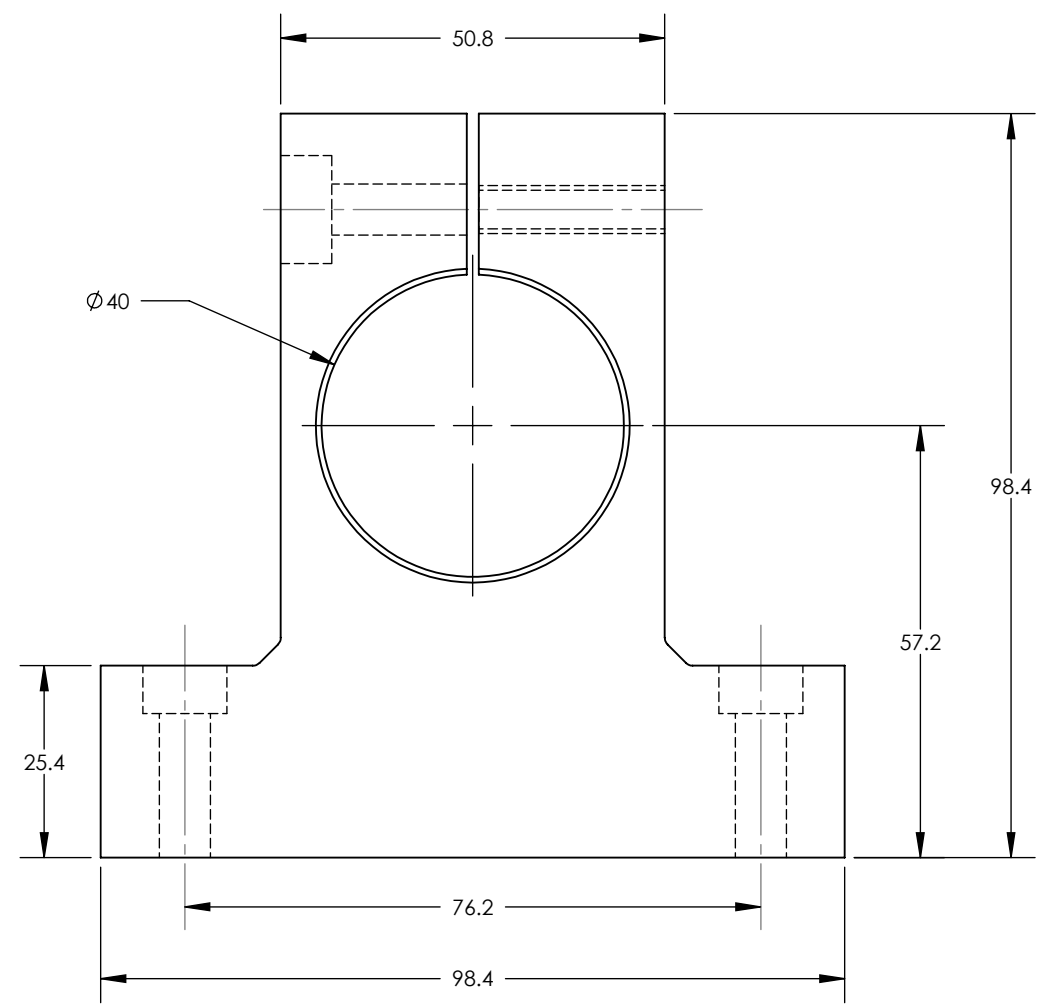
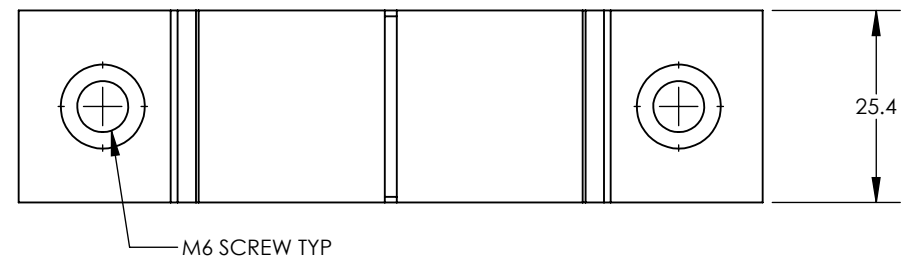


8 7 6 5 4 3 2 1

D
C
B
A

D
C
B
A



- NOTES:
- 1) MATERIAL ALUMINUM 6061-T6
 - 2) BLACK HARD ANODIZE

PROPRIETARY AND CONFIDENTIAL
 THE INFORMATION CONTAINED IN THIS DRAWING IS THE SOLE PROPERTY OF OAVCO LLC. ANY REPRODUCTION IN PART OR AS A WHOLE WITHOUT THE WRITTEN PERMISSION OF OAVCO LLC IS PROHIBITED.

		UNLESS OTHERWISE SPECIFIED:		NAME		DATE	
		DIMENSIONS ARE IN MILLIMETERS		DRAWN			
		TOLERANCES:		CHECKED			
		FRACTIONAL ±		ENG APPR.			
		ANGULAR: MACH ±1/4°		MFG APPR.			
		ONE PLACE DECIMAL ±.2		Q.A.			
		TWO PLACE DECIMAL ±.1		COMMENTS:			
		INTERPRET GEOMETRIC TOLERANCING PER:					
		MATERIAL					
		FINISH					
NEXT ASSY	USED ON	APPLICATION		DO NOT SCALE DRAWING			
				TITLE: 40MM SHAFT END MOUNTING			
SIZE	DWG. NO.	REV					
B	SEMM-OAV40						
SCALE: 1:1		WEIGHT:		SHEET 1 OF 1			

8 7 6 5 4 3 2 1