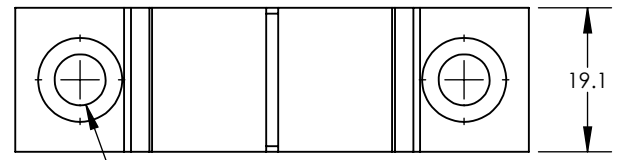


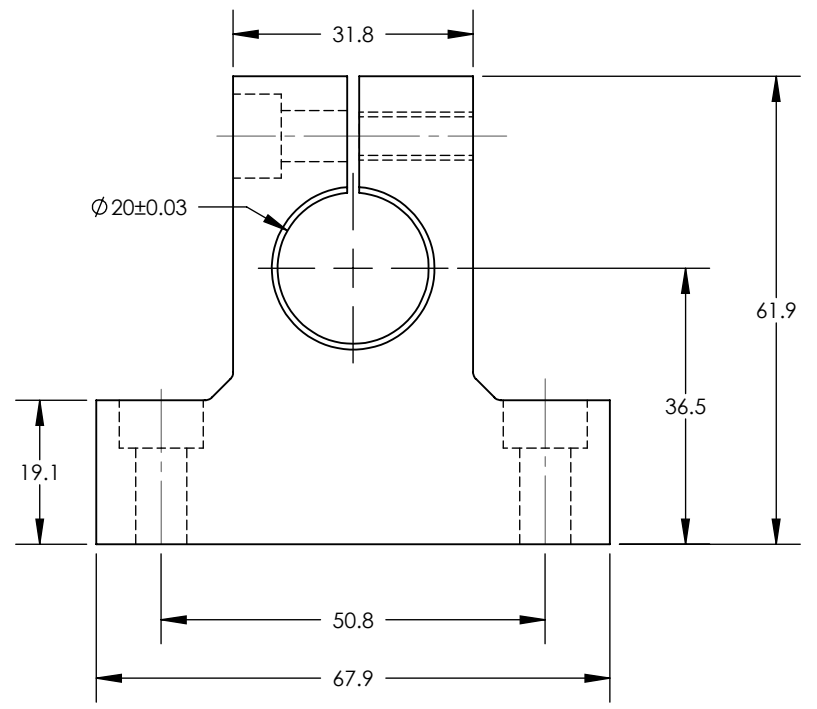
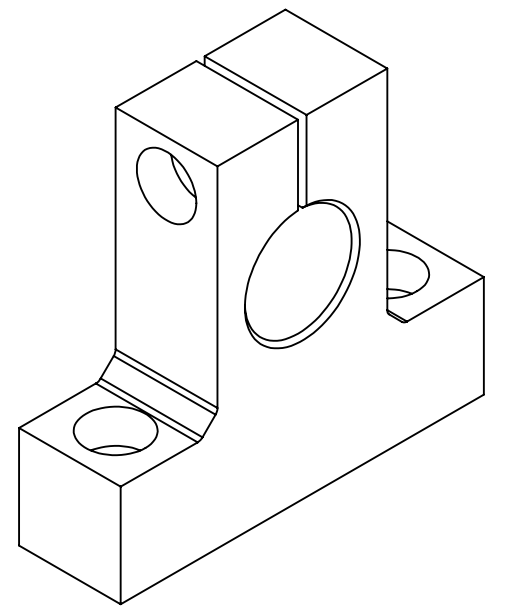
8 7 6 5 4 3 2 1

D
C
B
A

D
C
B
A



M6 SCREW TYP



NOTES:
1) MATERIAL ALUMINUM 6061-T6
2) BLACK HARD ANODIZE

PROPRIETARY AND CONFIDENTIAL
THE INFORMATION CONTAINED IN THIS DRAWING IS THE SOLE PROPERTY OF OAVCO LLC. ANY REPRODUCTION IN PART OR AS A WHOLE WITHOUT THE WRITTEN PERMISSION OF OAVCO LLC IS PROHIBITED.

		UNLESS OTHERWISE SPECIFIED:		NAME	DATE
		DIMENSIONS ARE IN MILLIMETERS		DRAWN	
		TOLERANCES:		CHECKED	
		FRACTIONAL ±		ENG APPR.	
		ANGULAR: ±1/4°		MFG APPR.	
		ONE PLACE DECIMAL ±.2		Q.A.	
		TWO PLACE DECIMAL ±.1		COMMENTS:	
		INTERPRET GEOMETRIC TOLERANCING PER:			
		MATERIAL			
		FINISH			
NEXT ASSY	USED ON	APPLICATION		DO NOT SCALE DRAWING	

TITLE: 20MM SHAFT END MOUNTING		
SIZE B	DWG. NO. SEMM-OAV20	REV
SCALE: 1:1	WEIGHT:	SHEET 1 OF 1

8 7 6 5 4 3 2 1