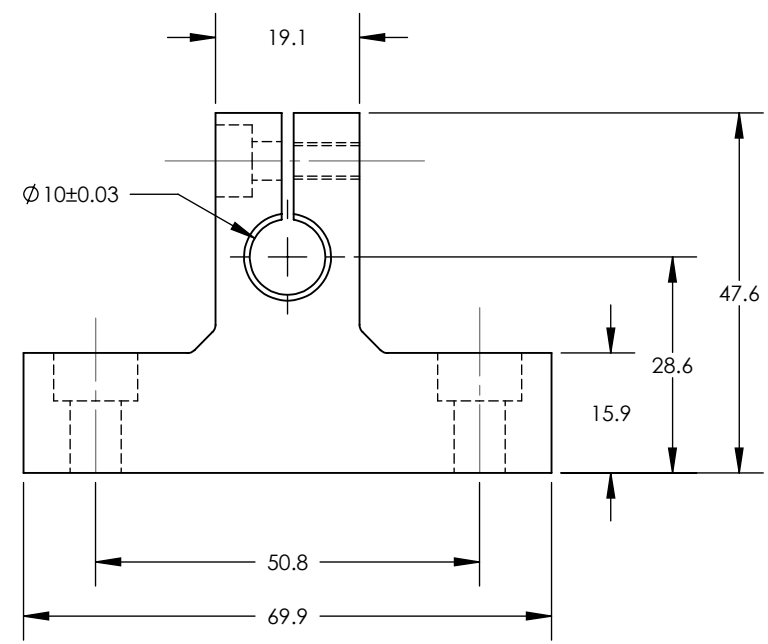
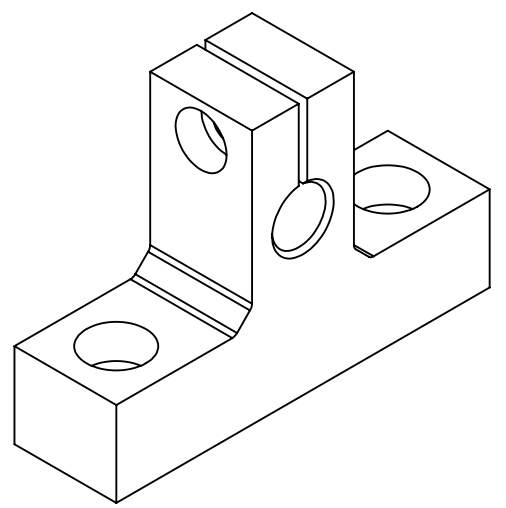
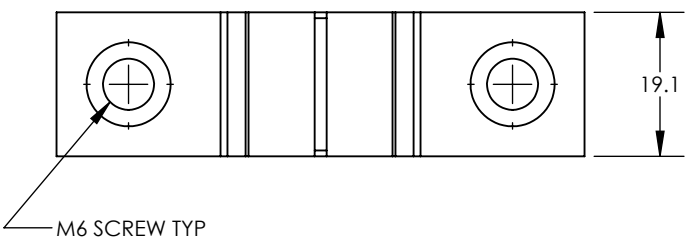


8 7 6 5 4 3 2 1

D
C
B
A


D
C
B
A



NOTES:
 1) MATERIAL ALUMINUM 6061-T6
 2) BLACK HARD ANODIZE

PROPRIETARY AND CONFIDENTIAL
 THE INFORMATION CONTAINED IN THIS DRAWING IS THE SOLE PROPERTY OF OAVCO LLC. ANY REPRODUCTION IN PART OR AS A WHOLE WITHOUT THE WRITTEN PERMISSION OF OAVCO LLC IS PROHIBITED.

		UNLESS OTHERWISE SPECIFIED:		NAME	DATE
		DIMENSIONS ARE IN MILLIMETERS	DRAWN		
		TOLERANCES:	CHECKED		
		FRACTIONAL \pm	ENG APPR.		
		ANGULAR: $\pm 1/4^\circ$	MFG APPR.		
		ONE PLACE DECIMAL $\pm .1$	Q.A.		
		TWO PLACE DECIMAL $\pm .2$	COMMENTS:		
		INTERPRET GEOMETRIC TOLERANCING PER:			
		MATERIAL			
		FINISH			
NEXT ASSY	USED ON				
APPLICATION		DO NOT SCALE DRAWING			



TITLE:
 10MM SHAFT
 END MOUNTING

SIZE	DWG. NO.	REV
B	SEMM-OAV10	

SCALE: 1:1 WEIGHT: SHEET 1 OF 1

8 7 6 5 4 3 2 1