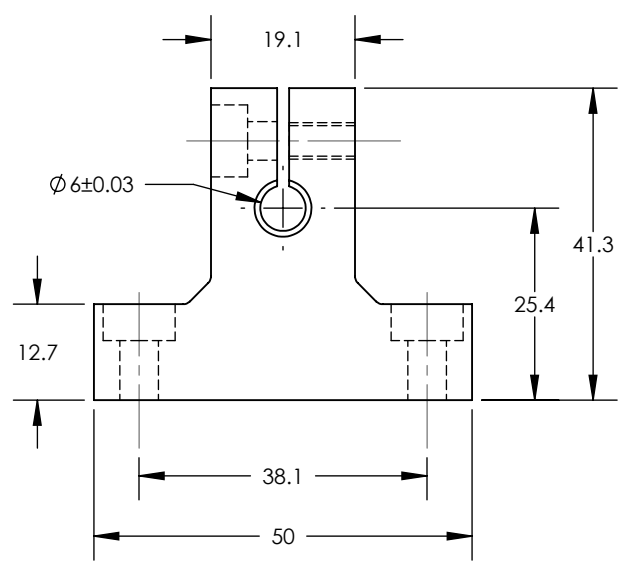
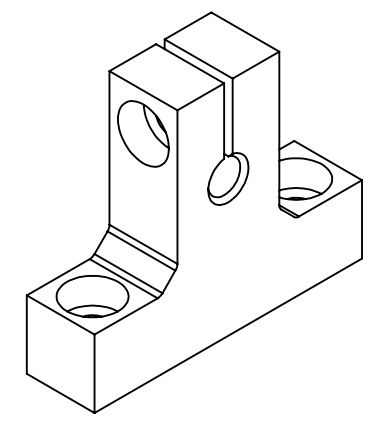
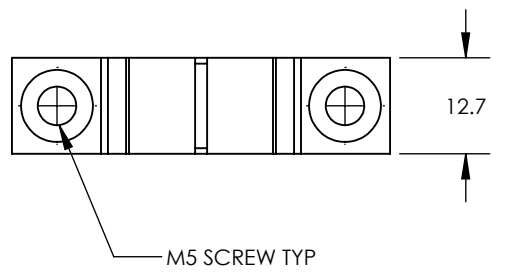


8 7 6 5 4 3 2 1

D
C
B
A

D
C
B
A



NOTES:
 1) MATERIAL ALUMINUM 6061-T6
 2) BLACK HARD ANODIZE

PROPRIETARY AND CONFIDENTIAL
 THE INFORMATION CONTAINED IN THIS DRAWING IS THE SOLE PROPERTY OF OAVCO LLC. ANY REPRODUCTION IN PART OR AS A WHOLE WITHOUT THE WRITTEN PERMISSION OF OAVCO LLC IS PROHIBITED.

		UNLESS OTHERWISE SPECIFIED:		NAME	DATE
		DIMENSIONS ARE IN MILLIMETERS		DRAWN	
		TOLERANCES:		CHECKED	
		FRACTIONAL \pm		ENG APPR.	
		ANGULAR: $\pm 1/4^\circ$		MFG APPR.	
		ONE PLACE DECIMAL $\pm .2$		Q.A.	
		TWO PLACE DECIMAL $\pm .1$		COMMENTS:	
		INTERPRET GEOMETRIC TOLERANCING PER:			
		MATERIAL			
		FINISH			
NEXT ASSY	USED ON	DO NOT SCALE DRAWING			
APPLICATION					

TITLE: 6MM SHAFT END MOUNTING		
SIZE B	DWG. NO. SEMM-OAV06	REV
SCALE: 1:1	WEIGHT:	SHEET 1 OF 1

8 7 6 5 4 3 2 1