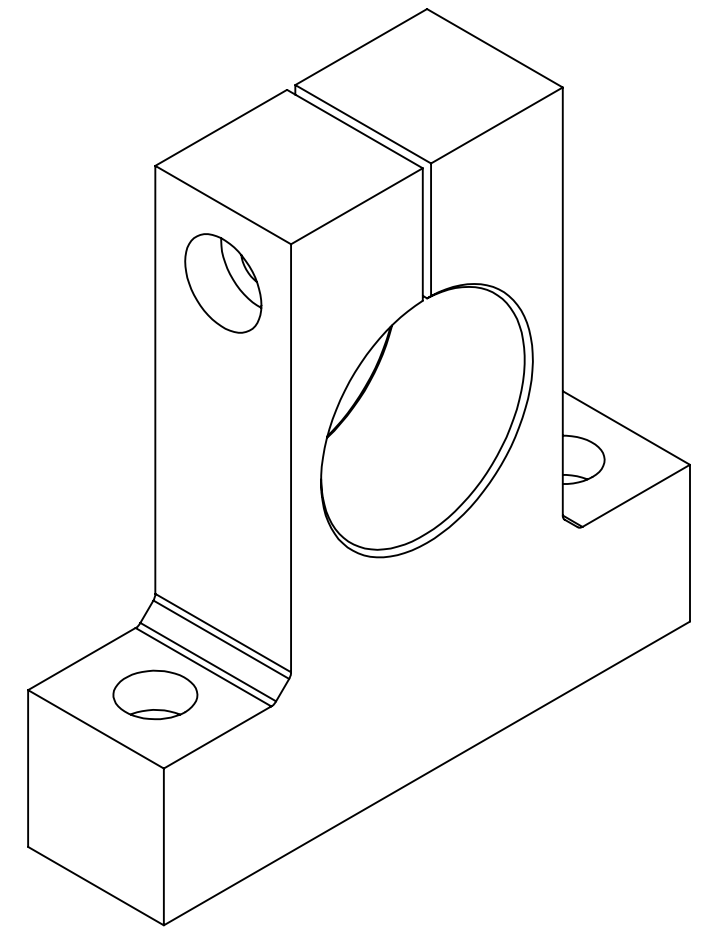
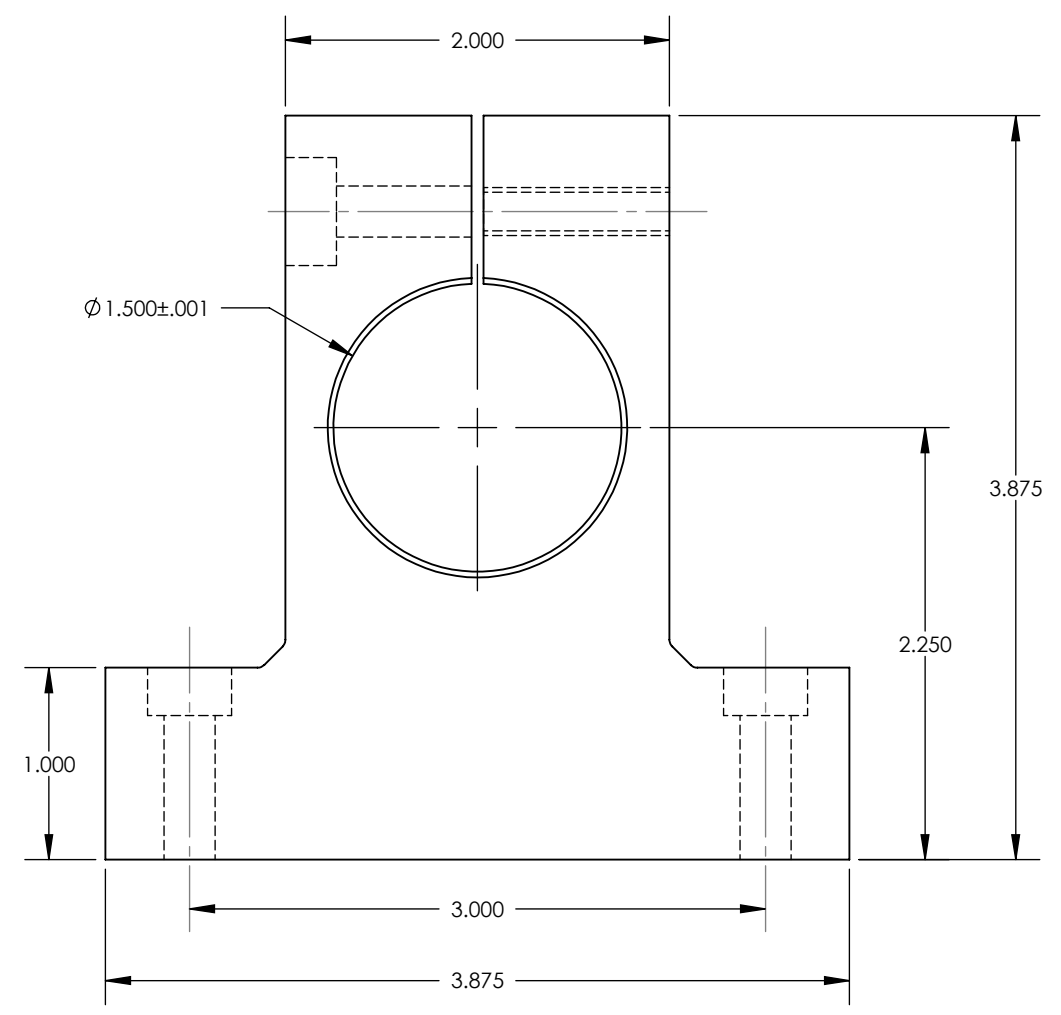
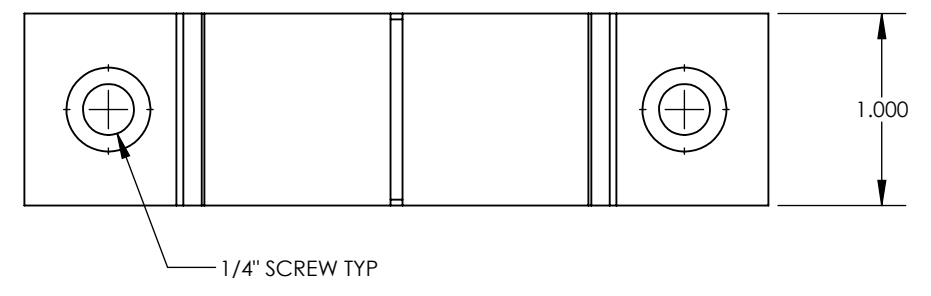


8 7 6 5 4 3 2 1

D
C
B
A

D
C
B
A



NOTES:
1) MATERIAL ALUMINUM 6061-T6
2) BLACK HARD ANODIZE

PROPRIETARY AND CONFIDENTIAL
THE INFORMATION CONTAINED IN THIS DRAWING IS THE SOLE PROPERTY OF OAVCO LLC. ANY REPRODUCTION IN PART OR AS A WHOLE WITHOUT THE WRITTEN PERMISSION OF OAVCO LLC IS PROHIBITED.

		UNLESS OTHERWISE SPECIFIED:					
		DIMENSIONS ARE IN INCHES		DRAWN		NAME	
		TOLERANCES:		CHECKED		DATE	
		FRACTIONAL ±		ENG APPR.			
		ANGULAR: ±1/4°		MFG APPR.			
		TWO PLACE DECIMAL ±.01		Q.A.			
		THREE PLACE DECIMAL ±.005		COMMENTS:			
		INTERPRET GEOMETRIC TOLERANCING PER:					
		MATERIAL					
		FINISH					
NEXT ASSY	USED ON						
APPLICATION		DO NOT SCALE DRAWING					
				TITLE: 1.5 INC SHAFT END MOUNTING			
SIZE	DWG. NO.			REV			
B	SEMI-OAV1500						
SCALE: 1:1		WEIGHT:		SHEET 1 OF 1			

8 7 6 5 4 3 2 1