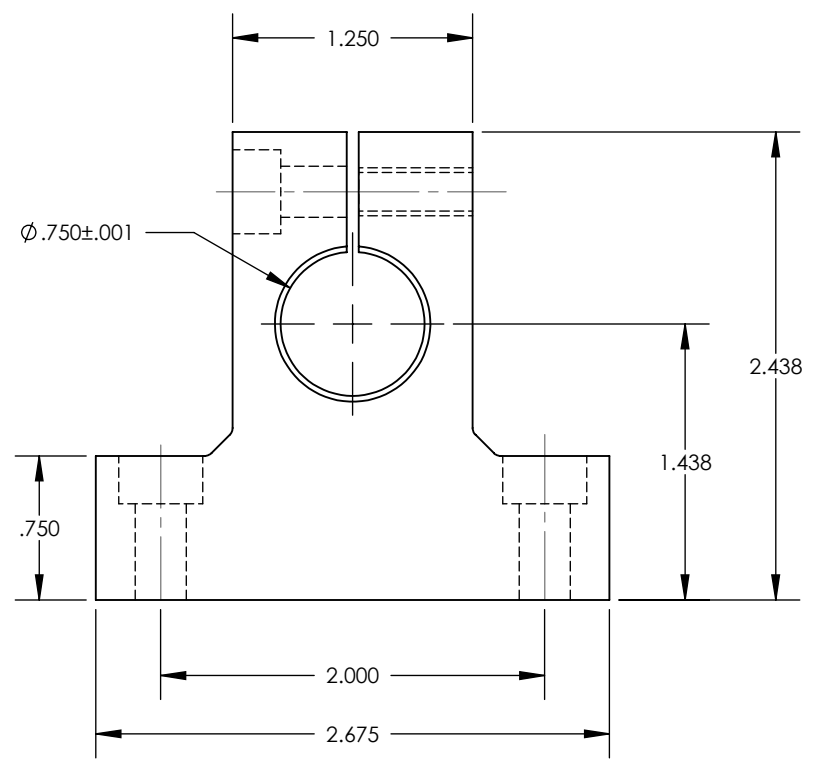
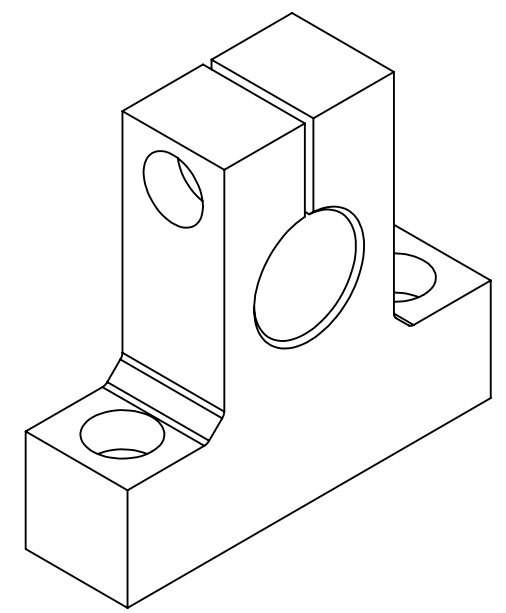
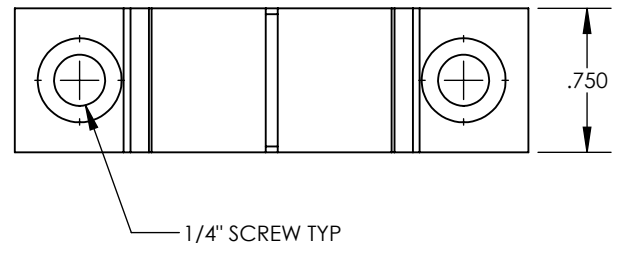


8 7 6 5 4 3 2 1


D
C
B
A

D
C
B
A



- NOTES:
 1) MATERIAL ALUMINUM 6061-T6
 2) BLACK HARD ANODIZE

PROPRIETARY AND CONFIDENTIAL
 THE INFORMATION CONTAINED IN THIS DRAWING IS THE SOLE PROPERTY OF OAVCO LLC. ANY REPRODUCTION IN PART OR AS A WHOLE WITHOUT THE WRITTEN PERMISSION OF OAVCO LLC IS PROHIBITED.

		UNLESS OTHERWISE SPECIFIED:		NAME	DATE
		DIMENSIONS ARE IN INCHES TOLERANCES: FRACTIONAL ± ANGULAR: MACH ±1/4° TWO PLACE DECIMAL ±.01 THREE PLACE DECIMAL ±.005		DRAWN	
		INTERPRET GEOMETRIC TOLERANCING PER:		CHECKED	
		MATERIAL		ENG APPR.	
NEXT ASSY	USED ON	FINISH		MFG APPR.	
APPLICATION		DO NOT SCALE DRAWING		Q.A.	
				COMMENTS:	
				 TITLE: .75 INC SHAFT END MOUNTING	
SIZE	DWG. NO.	REV			
B	SEMi-0750				
SCALE: 1:1	WEIGHT:	SHEET 1 OF 1			

8 7 6 5 4 3 2 1